

Nice PopKit

For swing gates with leaves up to 2 m, also with large posts and lightweight structures.

Version compatible with the solar power system Solemyo.

Sophisticated electronics: slowdown, obstacle detection system, can be linked to the 8.2 KOhm resistive sensitive edge.

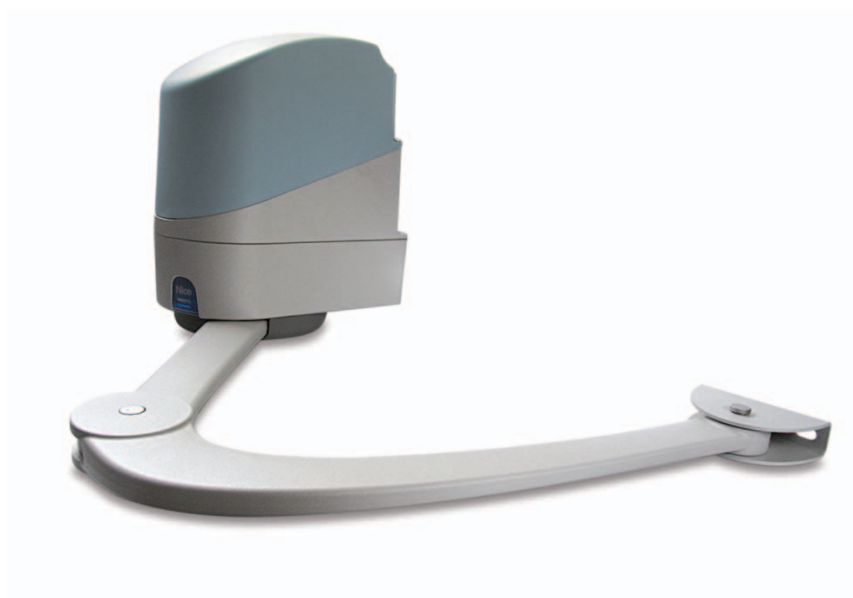
User-friendly: release with personalised key designed.

Sturdy, aluminium, anti-shearing arm.

Always ready for use: continues to work even during power failures using optional (PS124) batteries that fit inside the motor.

Exclusive functions: photo-test, pedestrian gate, programmable input for functions such as open, close, photo2, open pedestrian and open partially.

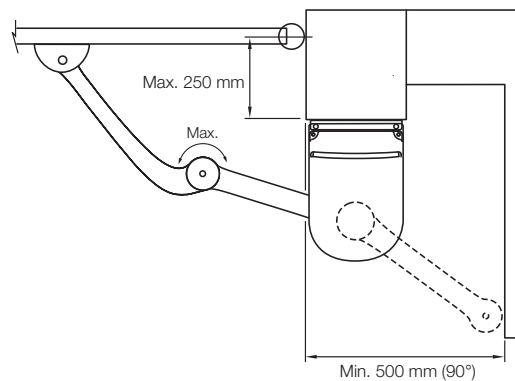
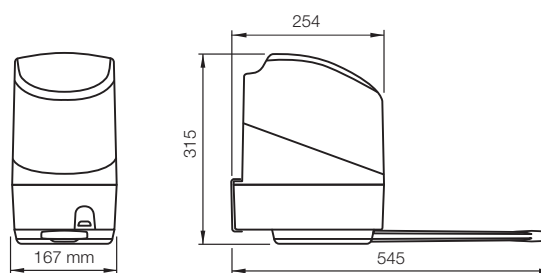
Extra-small, shockproof body with aluminium base.



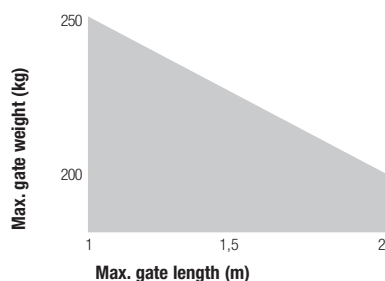
Technical specifications	PP7024	PP7224*
Power (Vac 50 Hz)	230	-
Emergency power supply		PS124
Current absorbed (line) (A)	~1	3
Power absorbed (W)		75
Protection level (IP)		44
Torque (Nm)		180
Speed (Rpm)		1.26-1.68
Opening time (s)		10
Working temp. (°C Min/Max)		-20 ÷ +50
Insulation class	1	B
Work cycle (%)		30
Dimension (mm)		167x315x254
Weight (kg)		21.6

* version without control unit

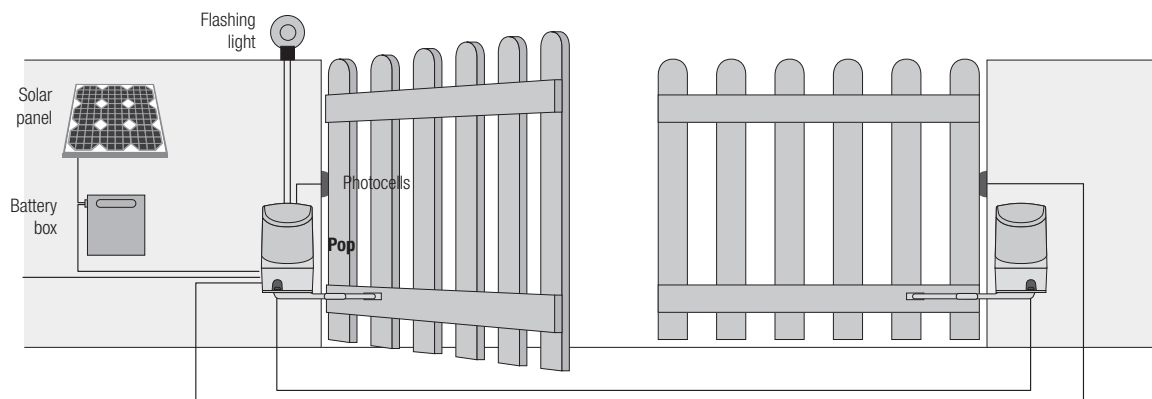
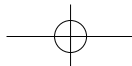
Dimensions



Utilisation limits



The shape, the height of the gate and the weather conditions can considerably reduce the values shown in the graph to the side.



Approximate draft



PopKit

For a pair of gates, including:

Nice Price **£ 907.00**



PP7024
one irreversible gear motor, 24 Vdc, with articulated arm, with incorporated control unit
1 pc



PP7224
one irreversible gear motor, 24 Vdc, with articulated arm, without control unit
1 pc



ON2
two transmitters 433.92 MHz, 2 channels
1 pc



MOF
one couple of photocells for outdoor installation
1 pc



ML24
one flashing light orange coloured for preset control unit
1 pc

Product in details



Sturdy, aluminium, anti-shearing arm.

SolemyoKit (Optional)

Including:



SYP
photovoltaic solar panel for 24 V power supply
1 pc



PSY24
24 V battery box with control circuit and carry handle
1 pc



SYA1
power supply unit for charging the battery PSY24 from the supply mains
1 pc

