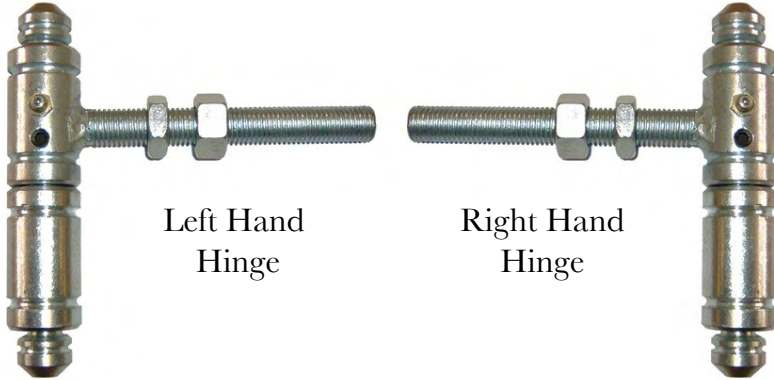


Barrel Hinges



Left Hand Hinge

Right Hand Hinge

SPECIAL LIMITED OFFER



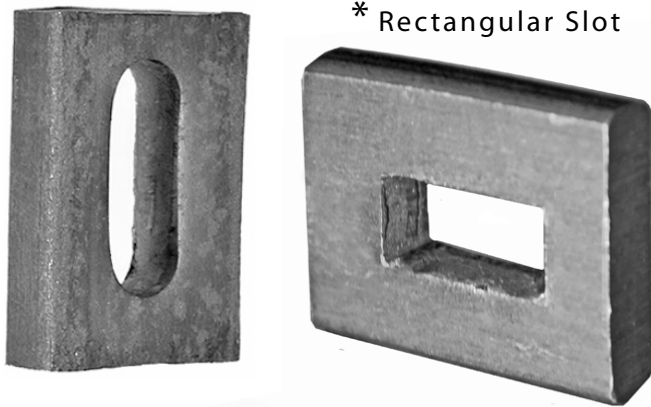
Universal 20mm Barrel hinge with no separate left/right components.

Product Code: 20BH

Part No.		Size	Price (Each)
Left Side	Right Side		
12 BHL	12 BHR	12 mm	£6.55
16 BHL	16 BHR	16 mm	£7.80
20 BHL	20 BHR	20 mm	£8.75

Lugs

Punched Lugs



* Rectangular Slot

Part No.	Size (W) x (T) x (L)	Hole Size	Price
PL 1	(40 x 10 x 60) mm	(27 x 10) mm	
PL 1A	(40 x 10 x 60) mm	(30 x 12) mm	
PL 2	(30 x 10 x 50) mm	(27 x 10) mm	
PL 2A	(30 x 10 x 50) mm	(30 x 12) mm	
PL 2B	(30 x 10 x 60) mm	(27 x 10) mm	
PL 2C	(30 x 10 x 60) mm	(30 x 12) mm	
PL 3	(30 x 8 x 50) mm	(27 x 10) mm	
PL 3A	(30 x 8 x 60) mm	(27 x 10) mm	
PL 4	(50 x 10 x 60) mm	(27 x 10) mm	
PL 4A	(50 x 10 x 60) mm	(30 x 12) mm	
* PL 5	(40 x 10 x 50) mm	*(26 x 12) mm	

Slotted Lugs



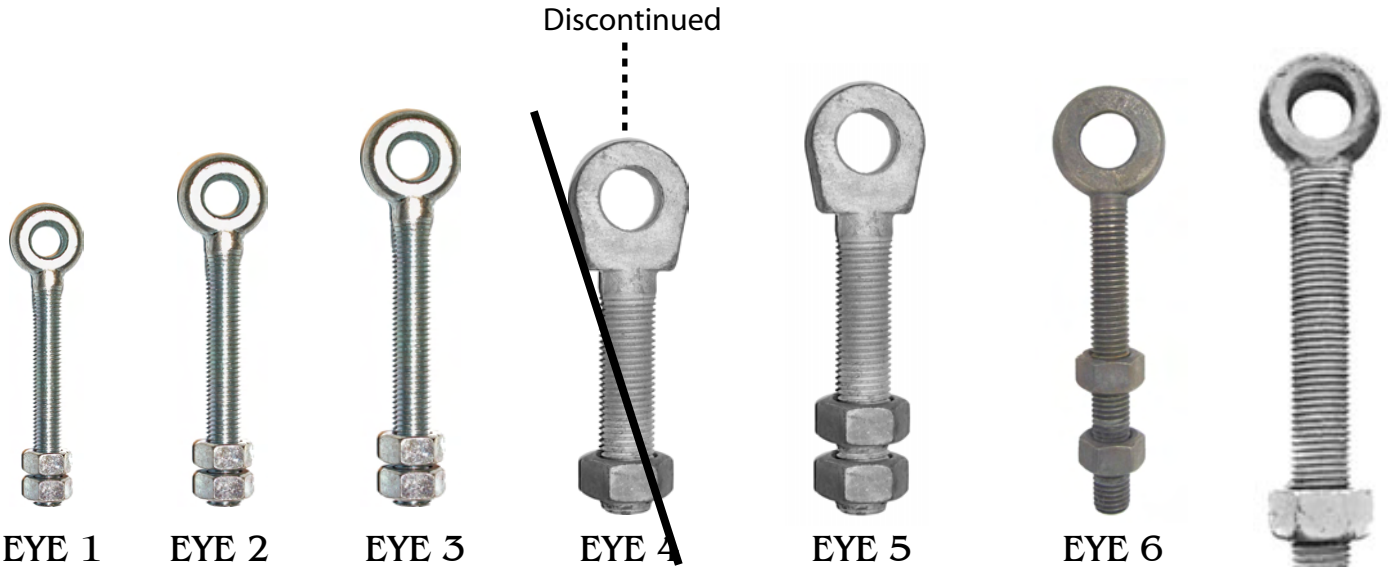
Part No.	Size (L) x (W) x (T)	Slot Size	Price
SL 1	(100 x 38 x 10) mm	(75 x 14) mm	
SL 2	(110 x 41 x 10) mm	(80 x 18) mm	
SL 3	(150 x 56 x 12) mm	(100 x 22) mm	

Angled Lugs

Part	Size (LxH) x (W) x (T)	Hole Size	Price
AL 1	[60x60]mm x (40 x 8)mm	(30 x 12) mm	
AL 2	[60x60]mm x (40 x 6)mm	(30 x 12) mm	

ADJUSTABLE EYEBOLTS, EYES AND HINGES

Adjustable Eyebolts



Part No.	Thread Size	To Suit Pin Dia	Thread Length	Finish	Price
EYE 1	12 mm	100 mm	12 mm	BZP	
EYE 2	16 mm	100 mm	16 mm	BZP	
EYE 3	20 mm	115 mm	20 mm	BZP	
EYE 5	30 mm	195 mm	30 mm	Galvanised	
EYE 6	24 mm	160 mm	25 mm	Galvanised	
EYE 7	30 mm	300 mm	30 mm	Galvanised	

EYE 7

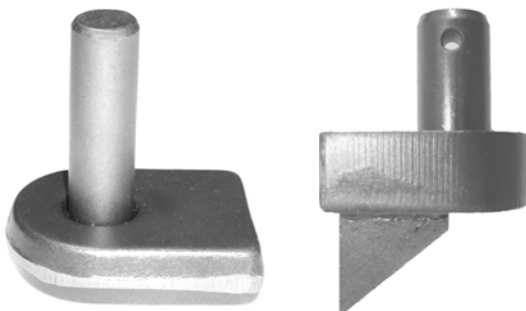
Eyes



12 / 16 / 20 / 25 / 30 mm Eye

Part No.	Size (H x W x T)	Hole Size	Price (Each)
12 EYE	40 x 25 x 10 mm	12 mm Dia	
16 EYE	61 x 47 x 16 mm	17 mm Dia	
20 EYE	61 x 47 x 16 mm	21 mm Dia	
25 EYE	64 x 50 x 20 mm	27 mm Dia	
30 EYE	83 x 64 x 30 mm	33 mm Dia	

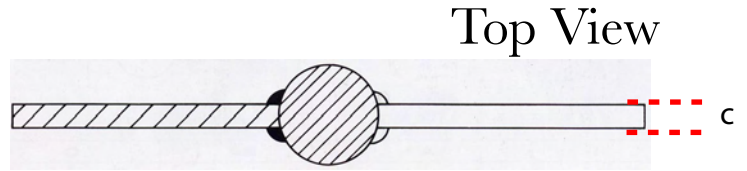
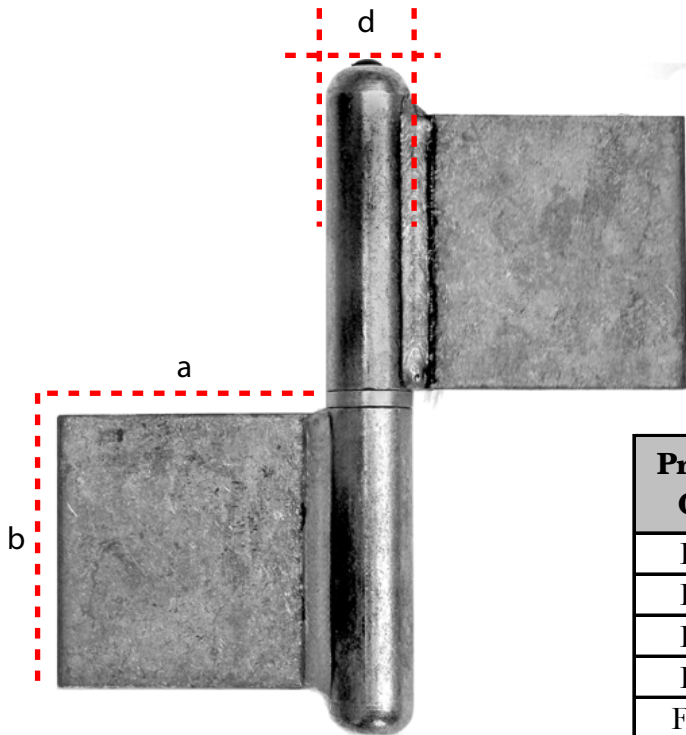
Regular Hinges



12 / 16 / 20 / 25 mm 30 mm

Part No.	Size (L x H x T)	Pin Size	Price (Each)
12 HING	40 x 25 x 10 mm	12 x 26 mm	
16 HING	61 x 47 x 16 mm	16 x 48 mm	
20 HING	61 x 47 x 16 mm	20 x 50 mm	
25 HING	65 x 52 x 20 mm	25 x 55 mm	
30 HING	83 x 66 x 30 mm	32 x 50 mm	

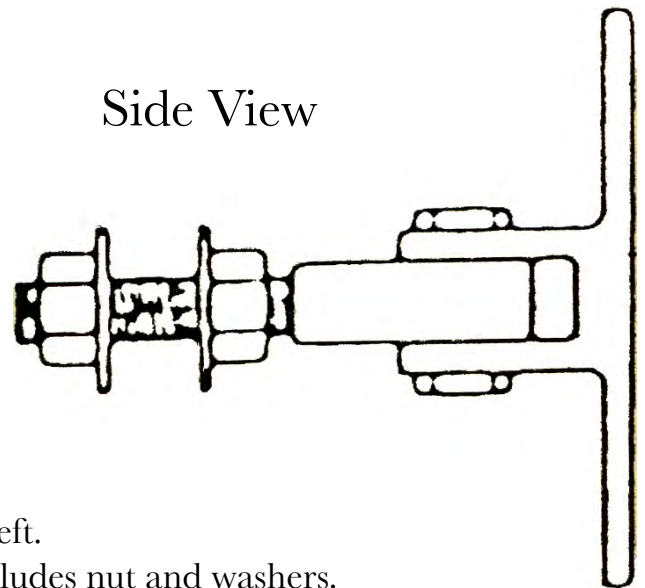
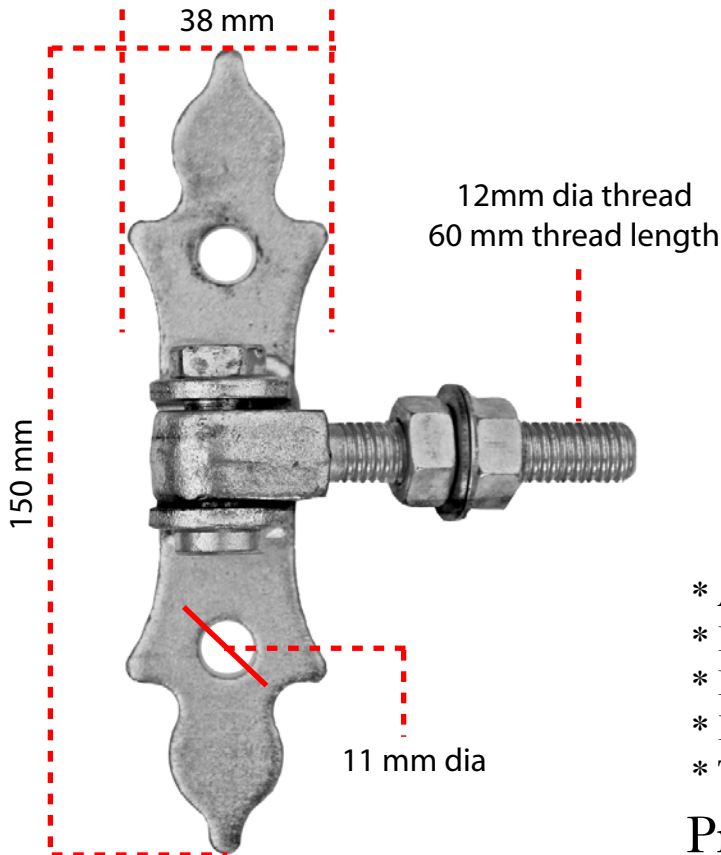
FLAG HINGES AND ADJUSTABLE HINGE SET



Product Code	Size	Measurements			Price
		a x b	c	d [dia]	
FH60	60 mm	30 x 30	5 mm	14 mm	
FH70	70 mm	35 x 35	5 mm	16 mm	
FH80	80 mm	40 x 40	5 mm	18 mm	
FH90	90 mm	45 x 45	5 mm	20 mm	
FH100	100 mm	50 x 50	5 mm	20 mm	
FH120	120 mm	60 x 60	6 mm	22 mm	
FH140	140 mm	70 x 70	6 mm	22 mm	
FH160	160 mm	80 x 80	6 mm	23 mm	

These flag hinges can be fitted to doors of either hand, as they are not offset. All sizes have an oiling hole and cap.

Adjustable Hinge Set



- * Anti - theft.
- * Price includes nut and washers.
- * Hinge is fully hot dip galvanised.
- * Extra strong chrome plated centre pin.
- * Thread formed from drop forging - not welded on.

Product Code: AHS

Price: £